

**Slim-Trak
Hubodometer**



Reliable
Tamper-proof
Distance monitor



How a hubodometer works

Hubodometers are a valuable component for scheduling a preventative fleet maintenance program and accurate billing for any distance-based or lease payment application.

The robust internal mechanism records every turn of the wheel and displays this recording on a high resolution display for easy reading. It is the least expensive, most accurate way to record kilometres (or miles) on a trailer or commercial bus.

When a trailer disconnects from the tractor and has no independent record of its use or distance travelled, the Slim-Trak Hubodometer provides a valuable source of accurate and reliable data.

Benefits

- Accurate and reliable distance recording of trailer or bus
- Compact tamper proof design, environmentally sealed to prevent accumulation of condensation
- Unique counterbalance design prevents orbiting - even on rough roads
- Integrated axle cap assembly options
- Recognised as accurate for fuel rebate applications

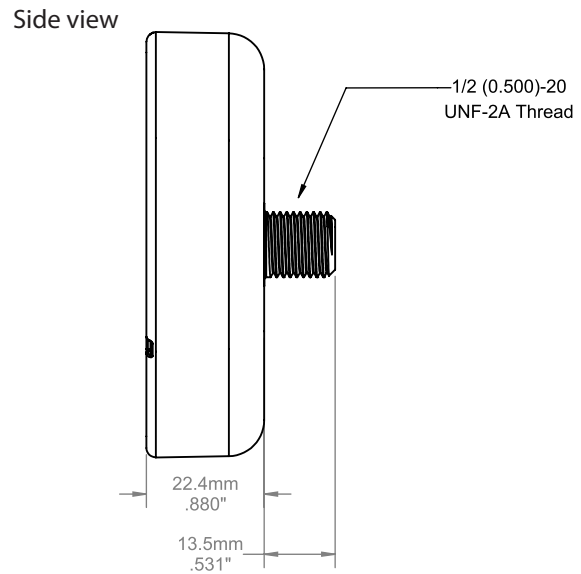
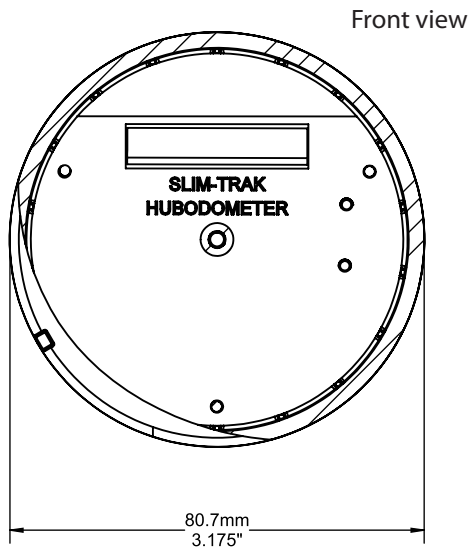
Key features

- Weighs about 100 grams
- Mounts directly onto the axle cap
- Available for all popular tyre sizes specified in revolutions per kilometre or mile
- Hermetically sealed meter
- Maintenance-free
- No build-up of condensation: nitrogen-filled
- Tamper-proof
- Records distances even in reverse gear
- Seven-digit display

Product standards

Heat:	BS EN 60068-2-2 Test Bb
Cold:	BS EN 60068-2-1 Test Ab
Condensation:	BS EN 60068-2-30 Test Db
Vibration:	BS EN 60068-2-6 Test Fc
Shock:	BS EN 60068-2-27 Test Ea
Casing Protection:	BS EN 60529:1992

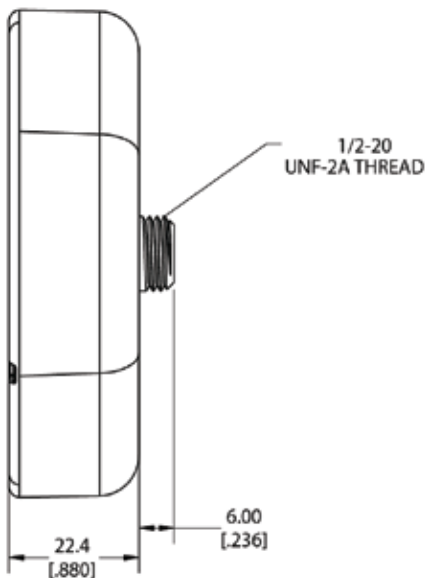




Technical specifications

- Speed: 1000 RPM maximum
- Warranty: 500,000 kilometres (300,000 miles)
- Size of figures: 0.15" high x 0.09" wide (3.81mm x 2.3 mm)
- Colour of figures: Wheels are white on black
- Mounting: 0.500-20 UNF 2A threaded integral mounting stud
- Construction: Case: rugged Valox engineered polymer
Figure wheels, pinions, gears: high performance acetal resin
Bearings: bronze
Main shaft: hardened steel
Crystal: scratch-resistant Lexan
Insert-moulded threaded shaft

Side view short stud



Drawings not to scale.

Semi-trailer tyre ratios

Tyre Size	Tyre Manufacturer's Rolling Circumference	OEM's Rolling Circumference	Revs/km	SecureSeal Systems Ltd. Part No.
215/75R/17.5	2.324	2.310	433	H-101-433-000
235/75R/17.5	2.431	2.404	416	H-101-416-000
245/70R/17.5	2.406	2.404	416	H-101-416-000
245/70R/19.5	2.559	2.559	392	H-101-392-000
265/70R/19.5	2.644	2.650	381	H-101-381-000
285/70R/19.5	2.730	2.740	366	H-101-366-000
305/70R/19.5	2.815	2.740	366	H-101-366-000
385/55R/19.5	2.740	2.740	366	H-101-366-000
425/55R/19.5	2.910	2.917	343	H-101-343-000
435/50R/19.5	2.837	2.837	350	H-101-350-000
445/45R/19.5	2.730	2.740	366	H-101-366-000
445/65R/19.5	3.302	3.260	306	H-101-306-000
11R/22.5	3.203	3.210	310	H-101-310-000
255/70R/22.5	2.837	2.840	350	H-101-350-000
275/70R/22.5	2.922	2.917	343	H-101-343-000
275/80R/22.5	3.087	3.040	329	H-101-329-000
295/80R/22.5	3.184	3.210	310	H-101-310-000
305/75R/22.5	3.294	3.260	306	H-101-306-000
315/70R/22.5	3.125	3.165	316	H-101-316-000
315/80R/22.5	3.282	3.260	306	H-101-306-000
385/55R/22.5	3.087	3.040	329	H-101-329-000
385/65R/22.5	3.248	3.260	306	H-101-306-000
425/65R/22.5	3.406	3.430	294	H-101-294-000
455/40R/22.5	2.852	2.840	350	H-101-350-000
455/45R/22.5	2.990	3.005	333	H-101-333-000
445/65R/22.5	3.485	3.507	286	H-101-286-000

